



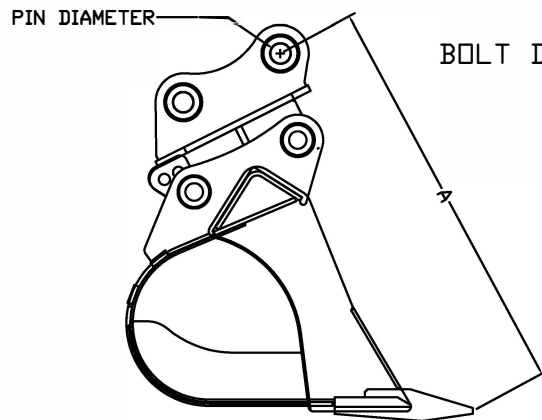
## PIN ON THUMB BUCKET W/ COUPLER MEASUREMENTS

MAKE AND MODEL OF EXCAVATOR: \_\_\_\_\_ INITIAL: \_\_\_\_\_

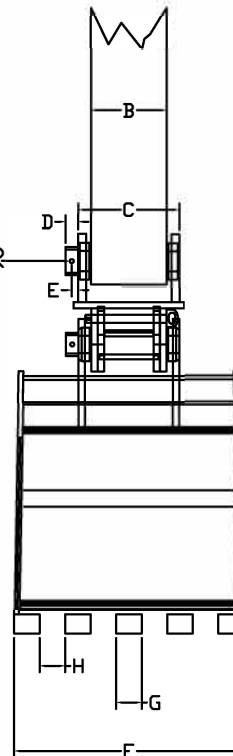
PIN DIAMETER: \_\_\_\_\_ INITIAL: \_\_\_\_\_

BOLT DIAMETER: \_\_\_\_\_ INITIAL: \_\_\_\_\_

NUMBER OF TEETH: \_\_\_\_\_ INITIAL: \_\_\_\_\_



BOLT DIAMETER



A: \_\_\_\_\_ INITIAL \_\_\_\_\_

B: \_\_\_\_\_ INITIAL \_\_\_\_\_

C: \_\_\_\_\_ INITIAL \_\_\_\_\_

D: \_\_\_\_\_ INITIAL \_\_\_\_\_

E: \_\_\_\_\_ INITIAL \_\_\_\_\_

F: \_\_\_\_\_ INITIAL \_\_\_\_\_

G: \_\_\_\_\_ INITIAL \_\_\_\_\_

H: \_\_\_\_\_ INITIAL \_\_\_\_\_

A: CENTER OF MAIN PIN TO TIP OF TEETH  
 B: WIDTH OF EXCAVATOR ARM  
 C: OUTSIDE WIDTH OF COUPLER EARS  
 D: LENGTH OF LOCKING COLLAR  
 E: OUTSIDE EAR TO CENTER OF HOLE  
 F: BUCKET WIDTH  
 G: WIDTH OF TOOTH  
 H: DISTANCE BETWEEN TEETH

MEASURED AND VERIFIED BY:

PRINT NAME:
SIGNATURE: