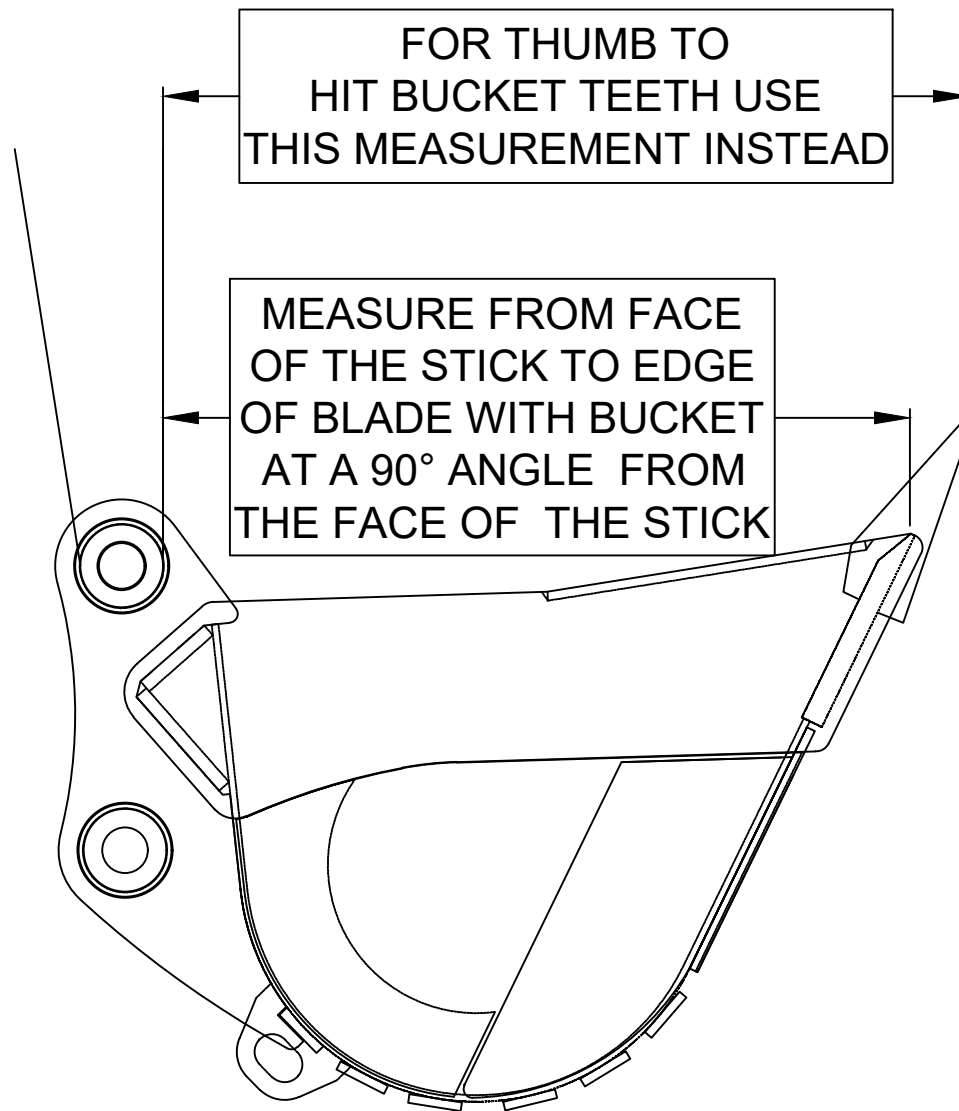


THUMB MEASUREMENT



****CUSTOMER TO PROVIDE EXISTING TOOTH LAYOUT WHEN APPLICABLE****



SOLARIS
QUALITY ATTACHMENTS