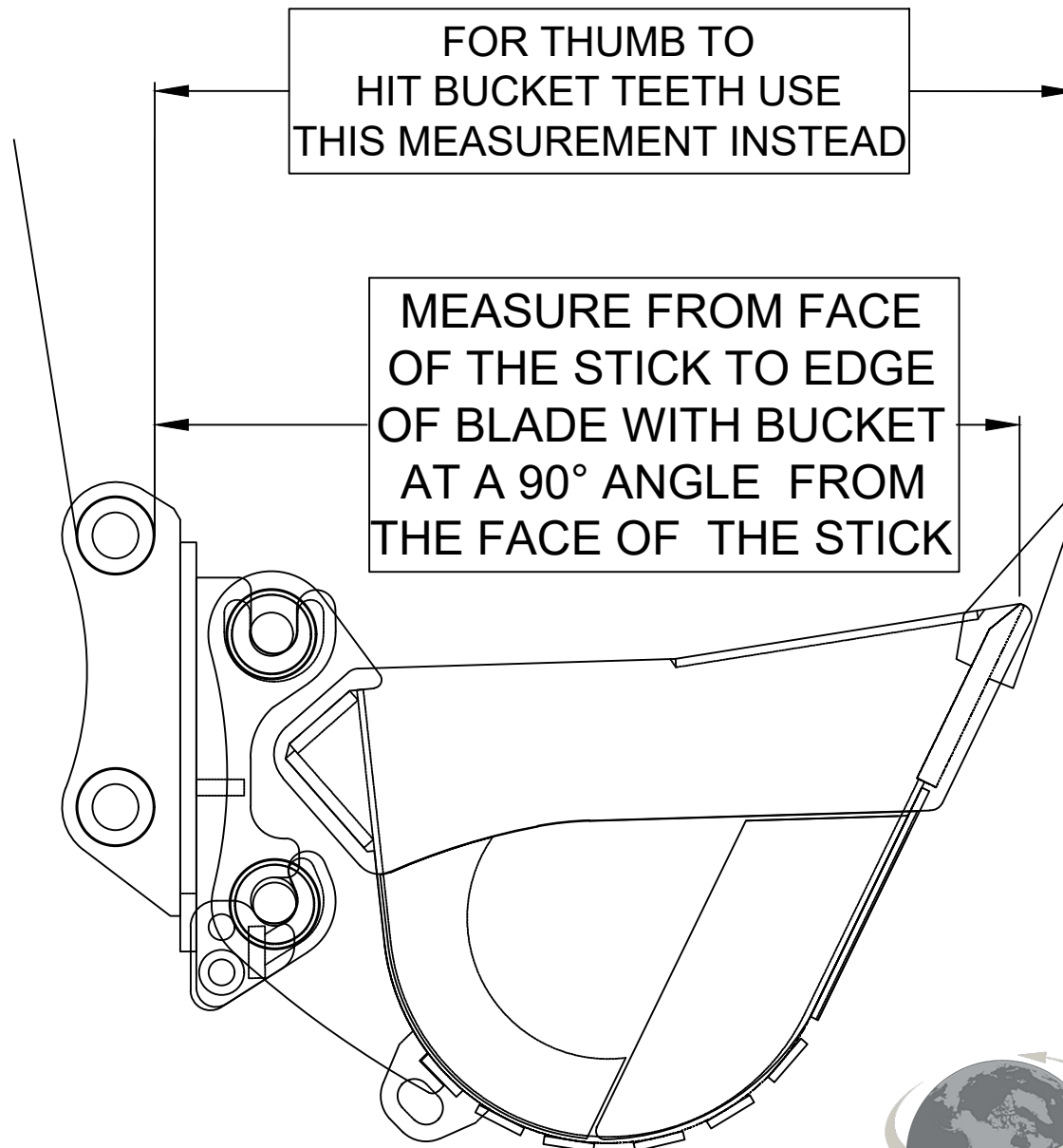


# THUMB MEASUREMENT WITH COUPLER



FOR THUMB TO  
HIT BUCKET TEETH USE  
THIS MEASUREMENT INSTEAD

MEASURE FROM FACE  
OF THE STICK TO EDGE  
OF BLADE WITH BUCKET  
AT A 90° ANGLE FROM  
THE FACE OF THE STICK

**\*\*CUSTOMER TO  
PROVIDE EXISTING  
TOOTH LAYOUT  
WHEN APPLICABLE\*\***



**SOLARIS**  
QUALITY ATTACHMENTS