



BTC-F SHARP-CUT FRONTAL BRANCH CUTTER BAR



SKID LOADER



MINI SKID



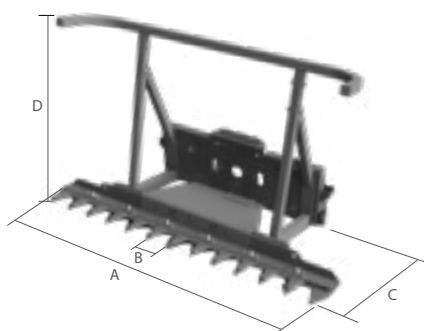
WHEEL LOADER



HB450



SUITABLE FOR THE TREE PRUNING UP TO 100 MM (3,9 IN). IT DOES NOT HARM THE PLANT, BECAUSE IT CUTS SHARPLY AND PRECISELY WITHOUT UPROOTING THE BRANCH. THE BAR'S BLADES IN HB450 GRANT RESISTANCE AND EXTENDED USEFUL LIFE.



	MOD.	BTCF 50-150		BTCF 100-190		BTCF 100-220	
A	MM (IN)	1500	(59)	1900	(75)	2200	(86,6)
B	MM (IN)	50	(2)	100	(3,9)	100	(3,9)
C	MM (IN)	670	(26,4)	810	(31,8)	810	(31,8)
D	MM (IN)	130	(5,1)	155	(6,6)	155	(6,6)
	KG (LB)	175	(386)	260	(574)	285	(629)
	MAX BAR (PSI)	250	(3626)	250	(3626)	250	(3626)
	MIN L/MIN (GAL/MIN)	40	(11)	50	(11)	50	(11)
	MAX L/MIN (GAL/MIN)	90	(23,7)	90	(23,7)	90	(23,7)



STANDARD TECHNICAL FEATURES

1 HB450 BLADE
HB450 BLADES FOR A HIGHER RESISTANCE TO WEAR.

2 FRONT PROTECTION FRAME
THE ADJUSTABLE PROTECTION FRAME ENSURES THAT THE PLANT FALLS AWAY FROM THE OPERATOR.

OPTIONAL

3 ARTICULATED LOADERS HITCH



SOLARIS

QUALITY ATTACHMENTS

www.solarisattachments.com
(888) 754-3609 | sales@solarisattachments.com