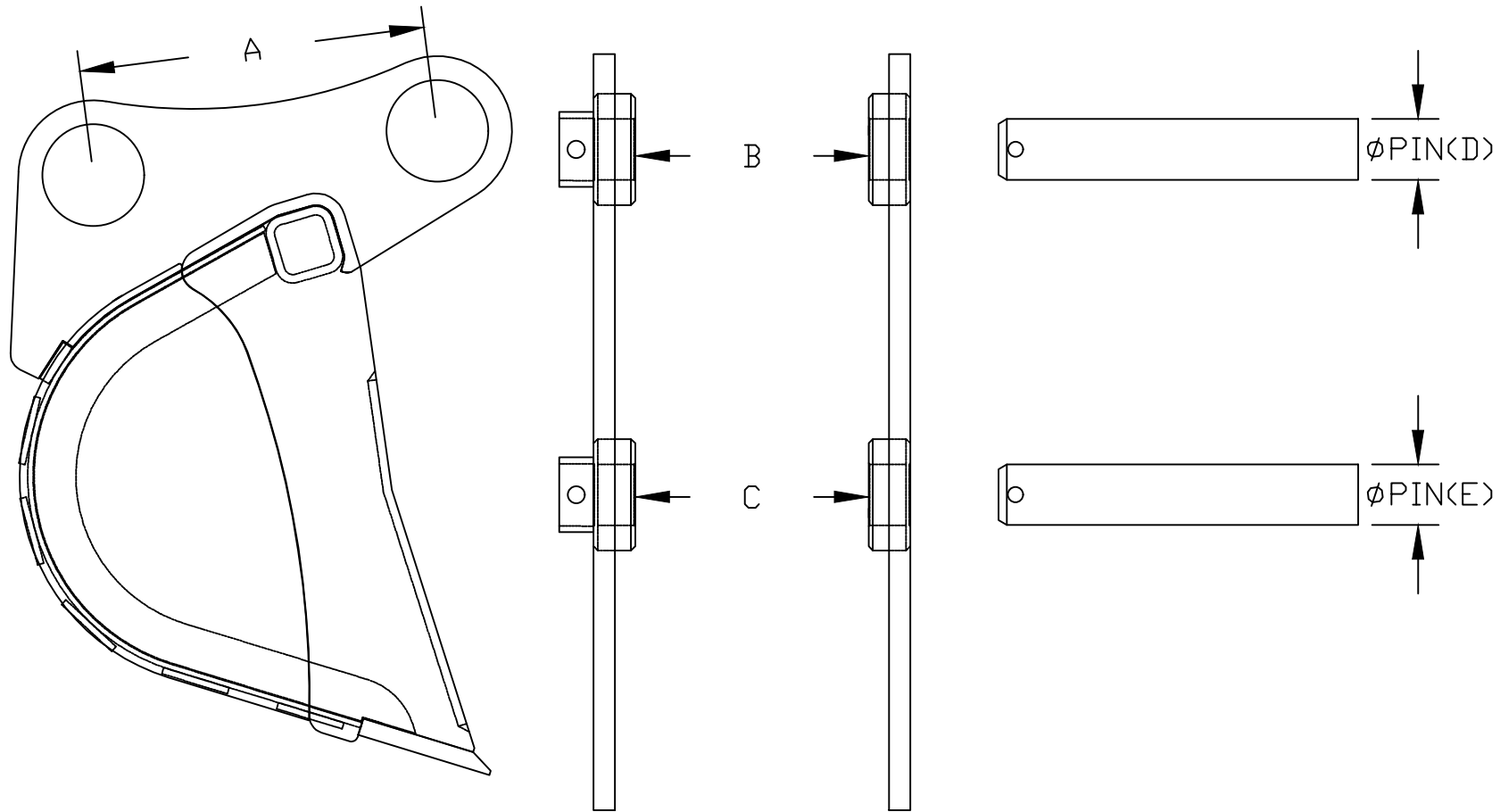


DIMENSION REQUEST



- A _____ CENTER DISTANCE
- B _____ STICK WIDTH
- C _____ LINK WIDTH
- D _____ STICK PIN DIAMETER
- E _____ LINK PIN DIAMETER



SOLARIS
SOLARIS QUALITY ATTACHMENTS
WWW.SOLARISATTACHMENTS.COM